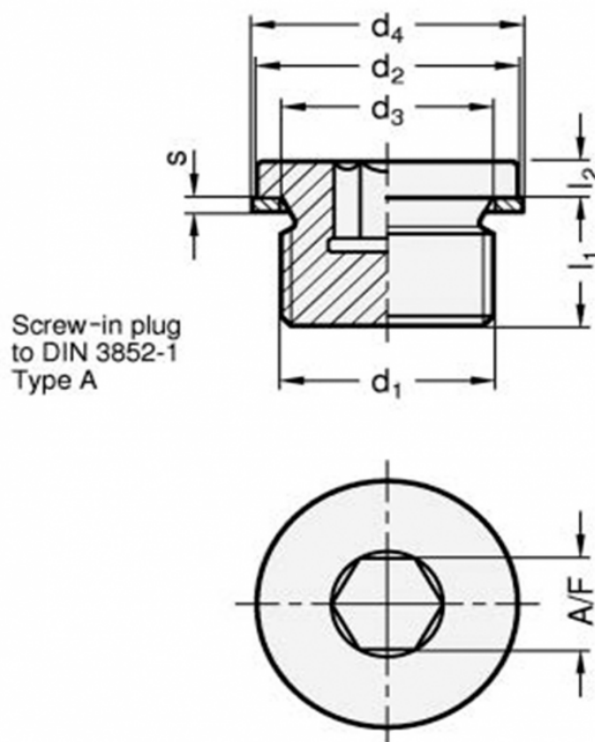


Article number: 20908STG18A

Description: E+G Threaded plug DIN 908-ST-G1/8-A

Measures



A/F	= 6
d1	= G1/8
d2h14	= 14
d3	= 10
d4	= 13.5
l1	= 8
l2	= 3
s	= 1

Weight in (g) = 6